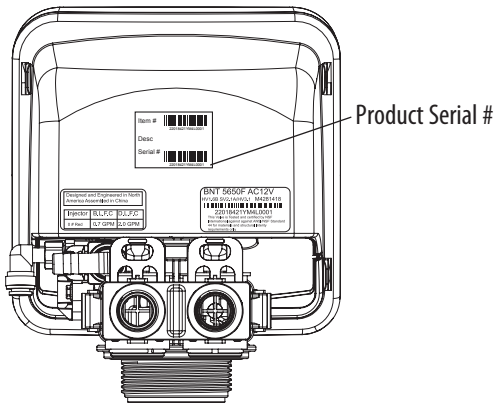


# Hydrotech<sup>®</sup> 565 Valve Softener Quick Set Up Manual

## Step 1 – Inspection

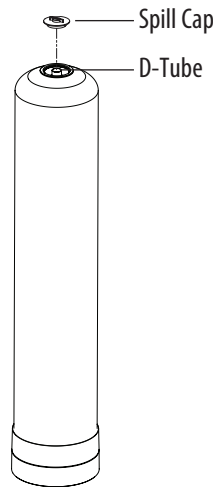
Check to make sure you got everything supplied by factory and there is no visible or concealed damage. In case of missing items, please contact customer service immediately and have the Product Serial # handy. (Product Serial # can be found at the back of the control valve, see below)



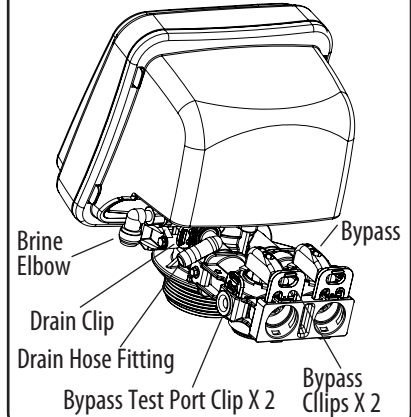
### The items you will expect are:

1. Tank with Media loaded
2. Control Valve
3. Parts Kit
4. Brine Tank (Round or Square ) and Components

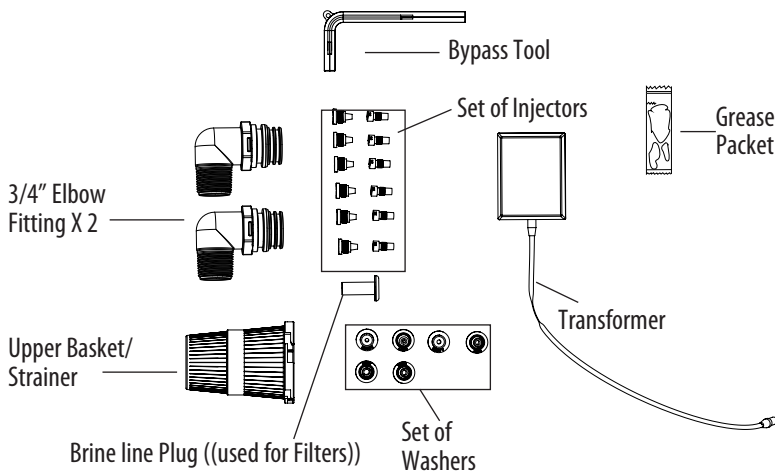
### 1. Tank with Media loaded



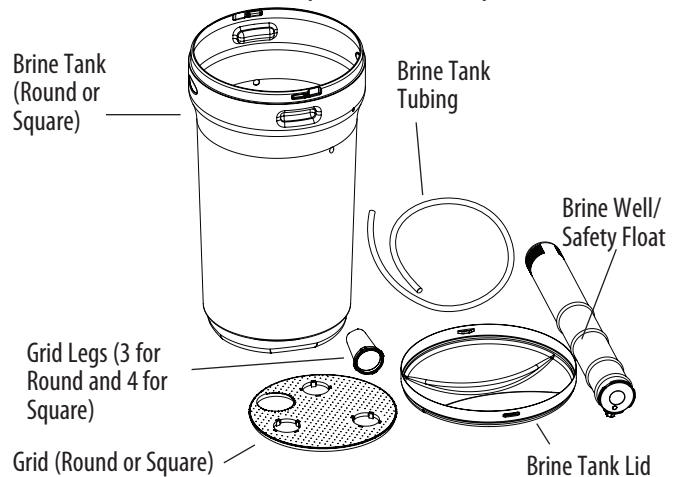
### 2. Control Valve



### 3. Parts Kit



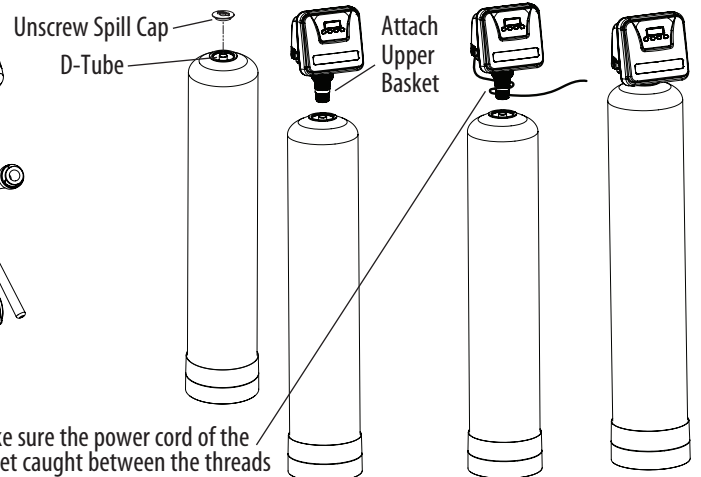
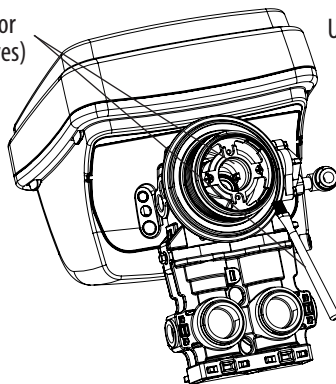
### 4. Brine Tank (Round or Square ) and Components



Grease port Orings using brush (not included) or your finger (Make sure to wear protective gloves)

## Step 2 – Installing Valve to the Tank

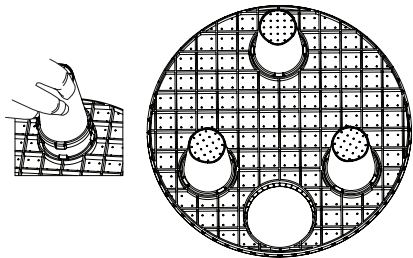
Select a Installation location and make sure there is access to 110V power outlet and drain line. Lube the bottom Valve Orings with the grease supplied, Attach the Upper Basket. Unscrew the spill cap. Carefully Slide the D-Tube inside the Valve and Screw the Valve inside the Tank such that the power cord doesnt get caught between the valve and the tank



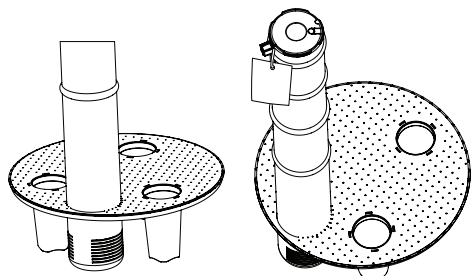
**CAUTION:** Make sure the power cord of the valve doesn't get caught between the threads

### Step 3 – Assembling Brine Tank

a. Attach the three brine grid legs to grid plate. The legs will snap on to the tabs of the salt plate making a “click” sound. For square brine tank there are four legs.

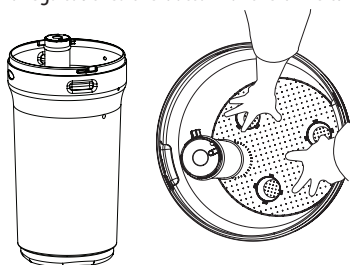


b. Insert the brine well assembly inside the grid plate as well below.

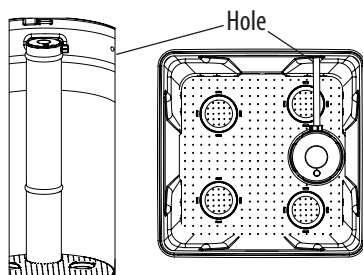


c. Drop the brine grid with brine well inside the brine tank such that the nut fitting faces the hole on the brine tank. Then press the grid evenly inside the brine tank until the brine grid legs touches the bottom of the brine tank.

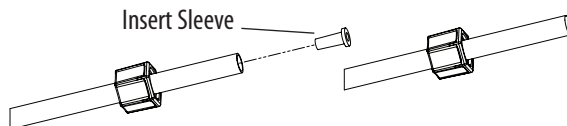
IMPORTANT: IN ROUND BRINE TANK, IT IS IMPORTANT TO ALIGN THE HANDLE TO THE BRINE WELL AS SHOWN



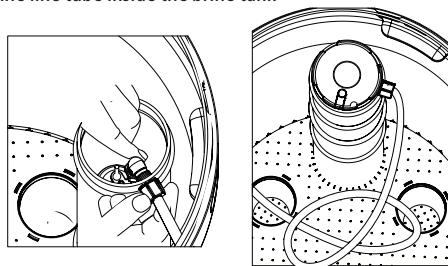
The hole in the brine tank should line up with the brine line as shown for round and square brine tank.



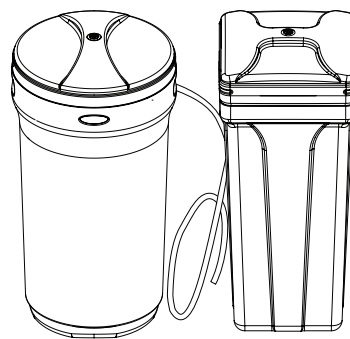
d. Take the brine tube and insert the nut and plastic sleeve as shown below.



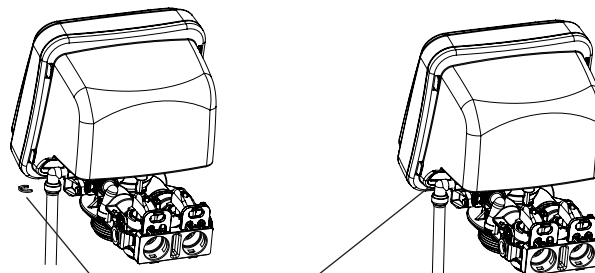
e. Insert the tube in the float assembly elbow and hand tighten the nut. In many cases the brine line already come installed from the factory. Leave the other end of the brine line tube inside the brine tank



f. For installation of brine tank at the installation site, pull the other end of the brine tube from the hole on the brine tank. The completed assembly is shown below.



### Step 4 – Attaching Brine Tubing to the Valve



Make sure the blue clip is secure

### Step 5 – Power and Program Valve

#### Key Pad Configuration:



1. If screen is locked, press “MENU” for 3 seconds to unlock. Press “MENU” again to enter level one programming mode and adjust CURRENT TIME.
2. Press “SET/REGEN” to adjust hours. When you have entered the change value mode, the cursor will blink. Press “UP or DOWN” arrows to change the hour values. Press “SET/REGEN” again to accept the hour value and advance to change the minutes value. Press “UP or DOWN” arrows to change the minute values. Press “SET/REGEN” again to accept the minute values and advance to adjust the AM/PM values. Press “UP or DOWN” to change the AM/PM value. Press “SET/REGEN” again to accept the AM/PM value and exit. When you have exited the change value mode, the cursor will stop flashing.

#### Setting Current Date

1. Press “DOWN” to advance to CURRENT DATE.
2. Press the “SET/REGEN” to change the value. Press “UP or DOWN” to change the values.

#### Setting Number of People

1. Press “DOWN” to advance to NUMBER OF PEOPLE.
2. Press the “SET/REGEN” to change the value. Press “UP or DOWN” arrows to change the values.

#### Setting Water Hardness

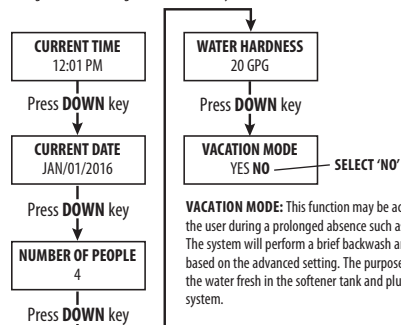
1. Press “DOWN” to advance to WATER HARDNESS.
2. Press the “SET/REGEN” to change the value. Press “UP or DOWN” arrows to change the values.

#### Setting Vacation Mode

1. Press “DOWN” to advance to VACATION MODE.
2. Press the “SET/REGEN” to change the value. Press “UP or DOWN” arrows to change the values.

#### Programming Flow Chart

Press MENU Key. For Value Adjustment, Press SET/REGEN Key and change the values using UP and DOWN Key



# Hydrotech®

TOLL-FREE: 1-877-288-9888  
Regina, SK • Cambridge, ON • Whitestown, IN  
Phoenix, AZ • Houston, TX • Guadalajara, MX  
www.hydrotechwater.com

Follow the Instruction Manual to Complete  
the Installation of the Product

55226 2023-10-18