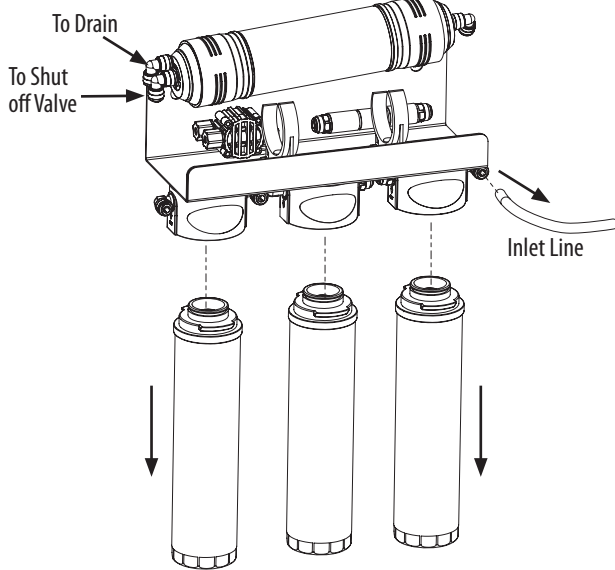


475 Aqua Flo® PRO Drinking Water System Sanitization Kit

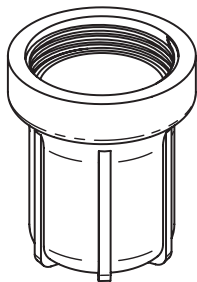
Preparation

Place some rags or a towel below the system as some water may leak during this procedure. Have a pail handy to drain water into.

1. Shut off the water supply to the system at the adapter valve. Open the faucet and allow the system to drain completely. Shut off the faucet once drained.

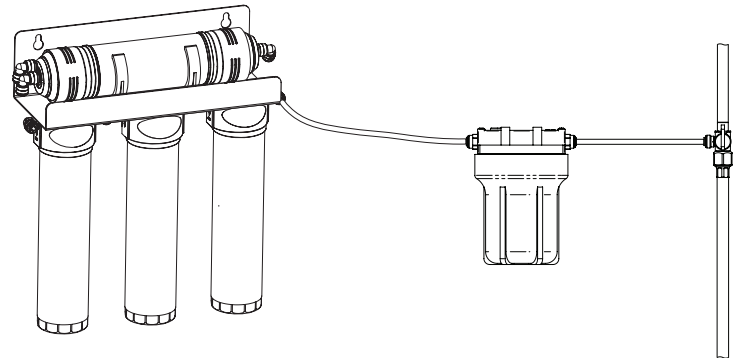
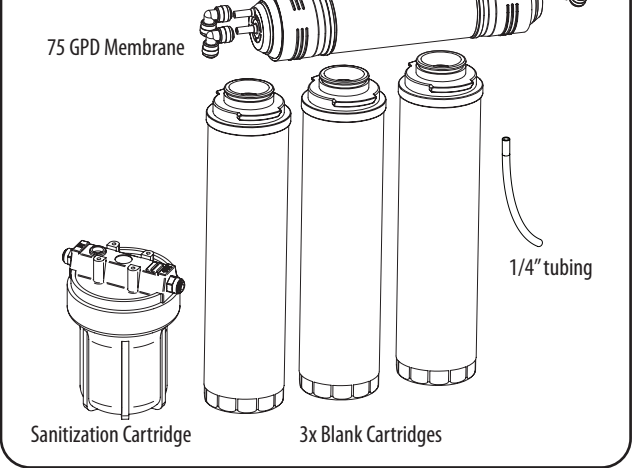


2. Disconnect all 3 cartridges and replace them with the blank sanitization cartridges included in this kit. Disconnect the inlet line from the system and drain excess water into a pail.

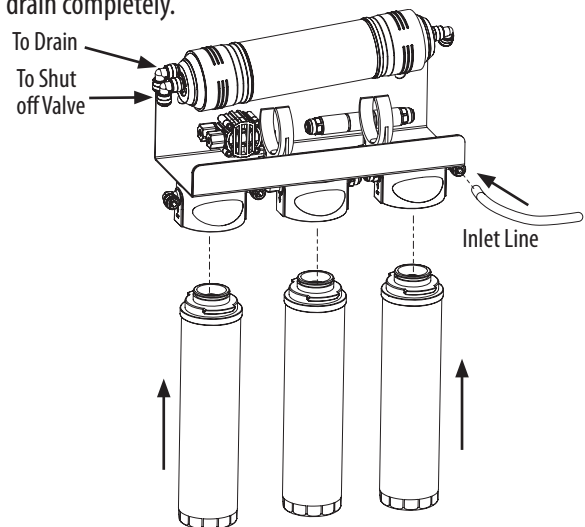


3. Add either 1/2 teaspoon of household bleach or 1 packet of Sani-System Liquid Concentrate (#50035) to the clear sanitization cartridge and seal the cartridge tightly.

Kit Contents



4. Using the tubing included in the kit, connect the sanitization cartridge between the adapter valve and the inlet port on the system.
5. Turn on the water at the adapter valve. When sanitizing an RO, allow the system to fill the tank for 1 hour. Next, turn on the faucet and allow the system to run for 30 minutes.
6. Leaving the faucet open, shut off inlet water and allow the system to drain completely.



7. Disconnect the sanitization cartridge from the inlet line and system. Reconnect the inlet line to the system and replace cartridges on system.
8. Turn on the inlet water and check for leaks. Allow the tank to fill for 1 hour and discard the first tank. Allow tank to refill or 1 hour.

Your system is now clean and ready to use!