



# 6700XTR Upflow Valve

## Water Softener Operation Manual



WQA Tested and  
Certified against  
CSA B483.1

C

Read all instructions carefully before operation.

#51548WQA 3/11





WQA Tested and Certified against CSA B483.1

## Performance Data Sheet and Specification

Item No.	Model Number	Capacity - Grains			Service Flow Rate USGPM (LPM)	Maximum Flow to Drain USGPM (LPM)	Resin Tank Size inches (mm)	Brine Tank Size inches (mm)	Resin Volume cu. ft (litres)	Salt Capacity lbs (kg)	Shipping Weight lbs (kg)
		@ 15 lbs /cu.ft	Factory @ 10 lbs/cu.ft	@ 6 lbs /cu.ft							
7645	6700UF-20	22,000	20,000	15,000	8.0 (30.3)	1.2 (4.5)	8 x 47 (203 x 1194)	18 x 35 (457 x 889)	0.75 (21.2)	224 (101.6)	90 (40.8)
7636	6700UF-20 (8 x 44)	22,000	20,000	15,000	8.0 (30.3)	1.2 (4.5)	8 x 44 (203 x 1117)	18 x 35 (457 x 889)	0.75 (21.2)	224 (101.6)	90 (40.8)
7646	6700UF-30	30,000	27,000	20,000	10.0 (37.9)	1.5 (5.7)	9 x 48 (229 x 1219)	18 x 35 (457 x 889)	1.00 (28.3)	224 (101.6)	105 (47.6)
7638	6700UF-30 (10 x 35)	30,000	27,000	20,000	10.0 (37.9)	1.5 (5.7)	10 x 35 (254 x 889)	18 x 35 (457 x 889)	1.00 (28.3)	224 (101.6)	105 (47.6)
7647	6700UF-45	45,000	41,000	30,000	11.0 (41.6)	2.0 (7.6)	10 x 54 (254 x 1372)	21 x 36 (533 x 914)	1.50 (42.5)	308 (139.7)	140 (63.5)
7648	6700UF-60	60,000	55,000	40,000	15.0 (56.8)	3.0 (11.4)	12 x 52 (305 x 1321)	21 x 36 (533 x 914)	2.00 (56.6)	308 (139.7)	185 (83.9)
7649 †	6700UF-90	90,000	82,000	60,000	15.0 (56.8)	4.0 (15.1)	14 x 65 (356 x 1651)	21 x 36 (533 x 914)	3.0 (84.5)	308 (139.7)	255 (115.7)

† Not certified by WQA

Working Temperature = 34-110°F (1-43°C)

(Do not subject the unit to freezing temperatures)

Working Pressure = 20-125 PSIG (137-861 kPa)

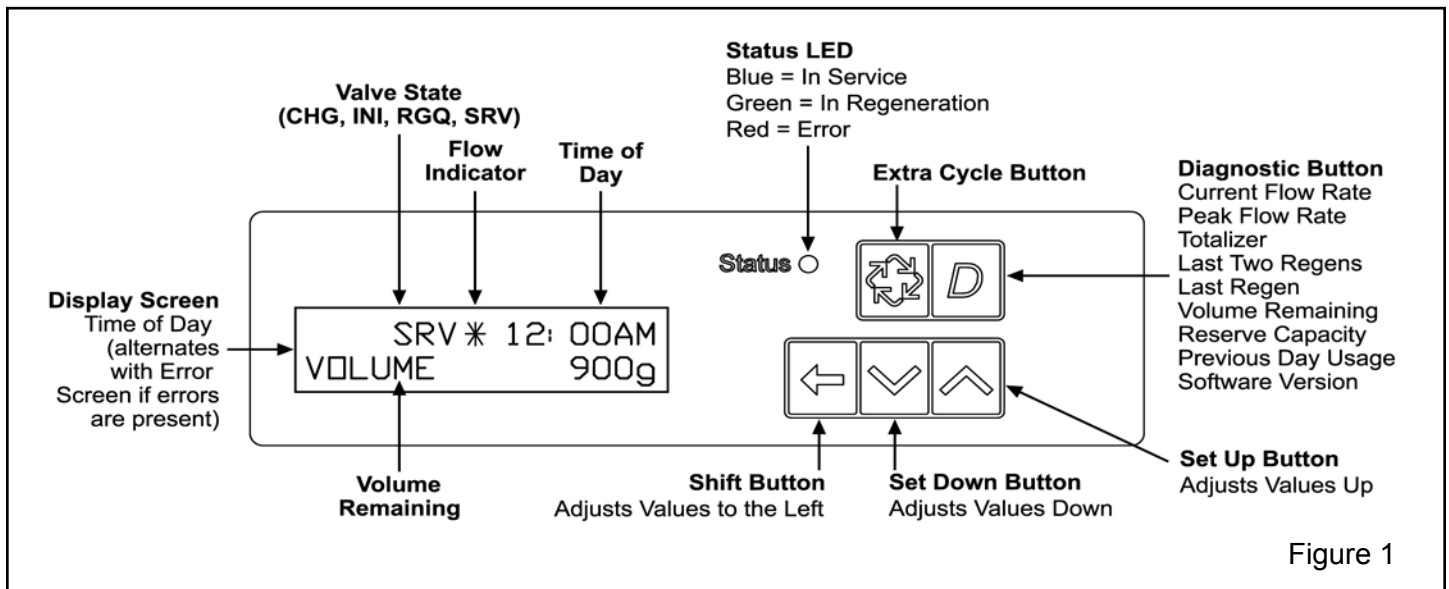
Voltage = 120V / 60 Hz

Pipe Size = 3/4"

- Capacities of softeners may deviate from the chart above depending on flow rates and raw water conditions.
- Changing salt settings from factory setting may require changing injector sizes to achieve stated capacities
- The manufacturer reserves the right to make product improvements which may deviate from the specifications and descriptions stated herein, without obligation to change previously manufactured products or to note the change.
- \* Do not use water that is microbiologically unsafe without adequate disinfection before or after the system.

## How Your 6700XTR-UF Water Conditioner Works

Hard water enters your home through the main supply line, enters your water conditioner, and passes down through a bed of ion exchange resin which softens the water. An ion exchange process takes place in which the resin beads capture and hold calcium and magnesium, the hardness impurities, while the water takes on sodium ions. The soft water then flows up and into your household water line.



### Valve State:

#### CHG (Change of State)

CHG will be displayed when the lower drive changes from one state to another in dual piston valves.

#### INI (Initializing)

INI will display on the screen for 30 to 45 seconds when initializing after a power failure reset or programming.

#### RGQ (Regeneration Queued)

RGQ indicates that the reserve has been entered in a delayed system and regeneration has been queued. When in the main screen, press the Shift button to toggle service (SRV) with RGQ.

#### Service (SRV)

SRV will display when the unit is in service.



# Installation Instructions

**All government codes and regulations governing the installation of these devices must be observed.**

**CAUTION:** If the ground from the electrical panel or breaker box to the water meter or underground copper pipe is tied to the copper water lines and these lines are cut during installation of the Noryl bypass valve and/or poly pipe, an approved grounding strap must be used between the two lines that have been cut in order to maintain continuity. The length of the grounding strap will depend upon the number of units being installed and/or the amount of copper pipe being replaced with poly. See Figure 2.

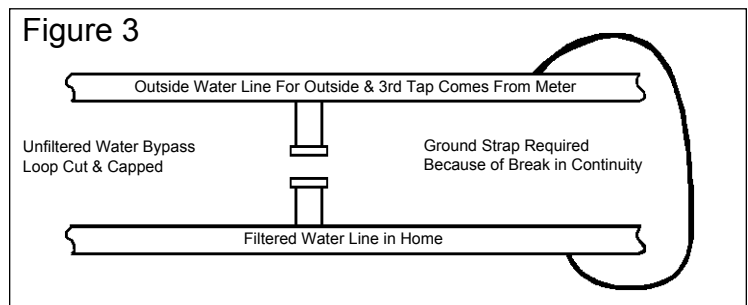
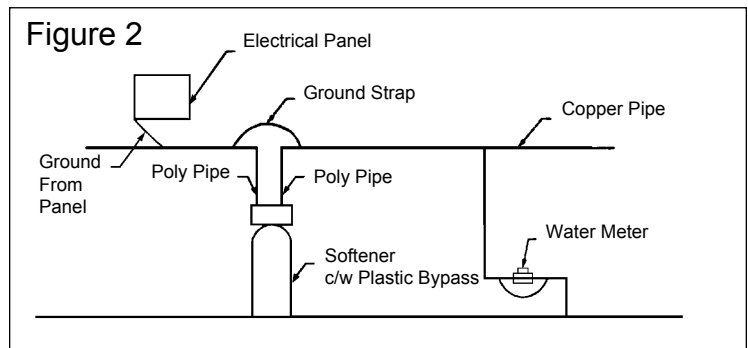
In all cases where metal pipe was originally used and is later interrupted by poly pipe or the Noryl bypass valve as in Figure 2 or by physical separation as in Figure 3, an approved ground clamp with no less than #6 copper conductor must be used for continuity, to maintain proper metallic pipe bonding.

Check your local electrical code for the correct clamp and cable size.

1. Determine the best location for your water softener, bearing in mind the location of your water supply lines, drain line and 120 volt AC electrical outlet. Subjecting the softener to freezing or temperatures above 110°F (43°C) will void the warranty.

## Media Installation (When Necessary)

- Remove the valve from the mineral tank.
  - Temporarily plug the open end of the riser tube to ensure that no resin or gravel falls down into the distribution.
  - Fill mineral tank one quarter full of water to protect distribution during gravel installation.
  - Slowly and carefully add the gravel support bed and the softener or filtration media leveling each layer as it is placed into the tank.
  - Unplug the riser tube, carefully position the valve over it and turn the valve into the threads in the fiberglass tank, tightening securely into tank. Note: Ensure that the internal O-ring in the valve fits securely over the riser tube. Silicone grease (#13691) or other food grade lubricant may be applied to the O-ring to ease installation of the riser tube. DO NOT use petroleum based lubricants as they will cause swelling of O-ring seals.
  - The softener or filter is now charged with softening resin.
  - It is recommended that the softener or filter tank now be completely filled with water (SLOWLY) to soak the resin or filtration media before startup. This will allow the media to absorb water as well as help displace any trapped air. This will reduce the chance of backwashing resin or filter media out of the tank during the initial backwash on startup.
2. Outside faucets used to water lawns and gardens should not supply softened water. A new water line is often required to be connected to supply hard water to the inlet of the water softener and to the outside faucets. Cut the water line between where it enters the house and before any lines that branch off to feed the hot water heater or other fixtures in the house and as near the desired location of the water softener as possible. Install a tee fitting on the feed end of the cut pipe, and an elbow fitting on the other end. Install piping from the tee to the inlet of the water softener and from the elbow to the outlet of the softener. To sever the water lines which branch off to feed any outside faucets, cut the branch lines approximately two inches from the fitting on the main water line. Install an elbow on the end of the pipe nearest the outside faucet and a cap on the end connected to the existing water line. Install piping from the tee installed on the inlet line to the water softener to the elbow installed on the pipe to the outside faucet. Following this procedure will result in all lines in the house, with the exception of the outside faucets, but including the water heater and therefore the hot water lines, being supplied with soft water.
  3. Familiarize yourself with the location of the inlet, outlet and drain on the control valve. Be very careful not to get the controls wet.



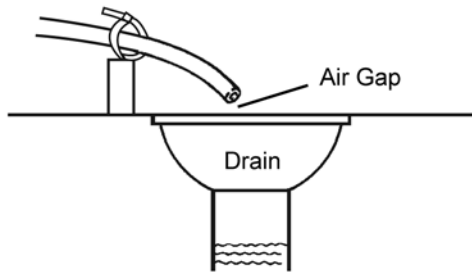
## Installation Instructions Cont'd

4. Attach the bypass valve to the control valve. Connect the inlet and outlet of the water softener to the plumbing in the house. The control valve must not be submitted to temperatures above 43°C (110°F). When sweat fittings are used, to avoid damaging the control valve, solder the threaded copper adapters to the copper pipe and then, using Teflon tape, screw the assembly into the bypass valve.  
CAUTION - do not use pipe thread compound as it may attack the material in the valve body.
5. Using teflon tape, screw the 1/2" hose barb into the drain port in the valve. Attach 1/2" drain hose to the hose barb and tighten securely with a hose clamp. Run the drain line to a floor drain or a laundry drain. Complete any necessary plumbing.
6. On twin tank units, pull the 3/8" brine line through the hole in the back of the brine tank. Connect the brine line to the fitting on the side of the valve using the nut and ferrule. Tighten snugly.
7. Place approximately 1" of water above the grid plate. If a grid is not utilized, fill to the top of the air check in the salt tank. Do not add salt to the brine tank at this time.
8. On units with a bypass, place in BYPASS position. Turn on the main water supply. Open a cold soft water tap nearby and let run a few minutes or until the system is free from foreign material (usually solder) that may have resulted from the installation. Once clean, close the water tap.
9. Place the bypass in the SERVICE position and let water flow into the mineral tank. When water flow stops, slowly open a cold water tap nearby and let run until the air is purged from the unit.
10. Plug unit into an electrical outlet. NOTE: all electrical connections must be connected according to local codes.
11. In normal operation the Time of Day and Volume Remaining is displayed. Set the Time of Day by:
  - Press and hold the Up or Down button for 2 seconds.
  - Press the Shift button to select the digit you want to modify.
  - Press the Up or Down buttons to adjust the value.
  - Press the Extra Cycle button to return to the normal display screen, or after a 5 second timeout.NOTE: The "D" button (Diagnostic) can be pressed to exit without saving.
12. The Volume Remaining Display is the volume of water (in US gallons) remaining prior to regeneration, including any reserve capacity. Without any water usage, the Flow Indicator (line) will be motionless. Open a soft water tap. A rotating line (appearing as a rotating star shape) will display on the screen when flow is going through the meter. Close the tap after 3-5 gallons of water flow.
13. Initiate a manual regeneration cycle by pressing and holding the extra cycle button for 5 seconds. The piston will advance to the 1st cycle which is BRINE & SLOW RINSE. Press the Extra Cycle button again and the piston will advance to the 2nd cycle which is BACKWASH. Allow the water to run to drain for 3-4 minutes to purge the air out of the tank. Press the Extra Cycle button again and the piston will advance to the 3rd cycle which is RAPID RINSE. Press the extra cycle button again and the piston will advance to the 4th cycle which is BRINE TANK REFILL. Press the extra cycle button again and the piston will advance to the SERVICE position.
14. Add water to the brine tank to the top of the air check. Manually step the valve to the BRINE TANK REFILL position (see Step 13) and allow the valve to draw water from the brine until it stops.  
Note: the air check will check at approximately the midpoint of the screened intake area.
15. Manually step the valve back to the SERVICE position.
16. With the valve in service, check that there is about 1" of water above the grid in the brine tank, if used.
17. Put 40 kgs of crystal water softener salt in the brine tank. The unit will automatically fill to the correct level when it regenerates.

(Installation Tip: The 6700XTR Softener should not be allowed to regenerate at the same time as any other water treatment units. If adjustment is required, consult programming chart to adjust default regeneration time.)

**Optional Sanitization Procedure:** We recommend that all new water conditioners be disinfected as part of the startup. Sanitization is achieved by the application of chlorine in the regeneration cycle of the conditioner. A liquid solution of 5.25% sodium hypochlorite (commonly referred to as household bleach) is recommended as a suitable disinfectant. Use only unscented products. For every cubic foot of resin in the softener, pour approximately two (2) tablespoons of sodium hypochlorite into the brine well tube. Press and hold the EXTRA CYCLE button and allow the brine tank to fill with the standard amount of water. Press the EXTRA CYCLE button again twice to advance the valve to the BRINE & SLOW RINSE position. Allow softener to complete the BRINE & SLOW RINSE cycle, then press EXTRA CYCLE button three times to advance valve back to service position.

## Drain Line Connection



**NOTE:** Waste connections or drain outlet shall be designed and constructed to provide for connection to the sanitary waste system through an air-gap of 2 pipe diameters or 1 inch (22 mm) whichever is larger.

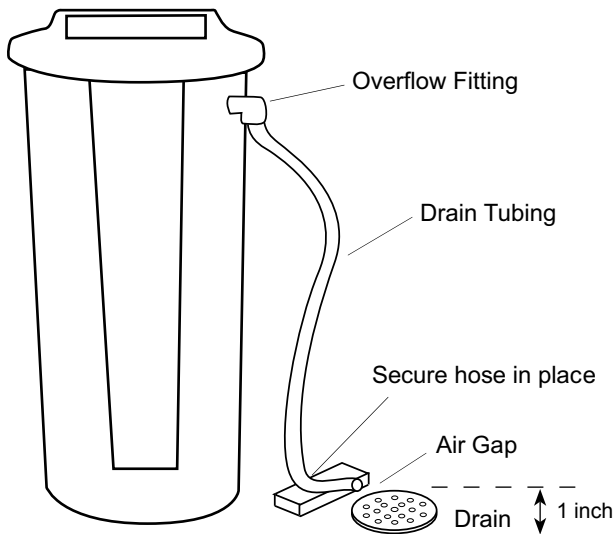
**WARNING:** Never insert drain line directly into a drain, sewer line, or trap. Always allow an air gap between the drain line and the wastewater to prevent the possibility of sewage being back-siphoned into the conditioner.

## Overflow Line Connection

In the event of a malfunction, the brine TANK OVERFLOW will direct "overflow" to the drain instead of spilling on the floor. This fitting should be installed at the side of the cabinet or brine tank.

To connect the overflow line, drill the hole on the side of the tank, 2 to 3 inches below from the top of the brine tank. Insert overflow fitting into tank and tighten with plastic thumb nut and gasket as shown. Attach length of 1/2-inch (1.3-cm) I.D. tubing (not supplied) to fitting and run to drain. Do not elevate overflow line higher than overflow fitting.

Do not tie into drain line of control unit. Overflow line must be a direct, separate line from overflow fitting to drain, sewer or tub. Allow an air gap as per drain line instructions.



# Operating Instructions

## Regeneration Cycle Step Programming

1. Brine and Slow Rinse ..... 10 minutes
2. Backwash ..... 60 minutes
3. Rapid Rinse ..... 10 minutes
4. Brine Tank Refill ..... 10 minutes - 6700UF-20  
13 minutes - 6700UF-30  
10 minutes - 6700UF-45  
13 minutes - 6700UF-60  
20 minutes - 6700UF-90

## Water Pressure

Your conditioner is designed to operate under normal water pressures from 20 psi (1.4 atm) to 125 psi (8.5 atm).

## Regeneration and Automatic Bypass

Water conditioners are factory set to regenerate at 2:00 a.m. during a period of little or no water use. The regeneration cycle lasts approximately two hours, after which soft water service is restored. While regeneration is taking place, hard water automatically bypasses the water conditioner if required. Use of water, particularly hot water, should be avoided at this time to prevent hard water from filling the water heater.

## New Sounds

You will notice new sounds as your conditioner operates, such as the hum of the timer or click of the actuator arm. During regeneration, it will be common to hear the sounds of water running to the drain.

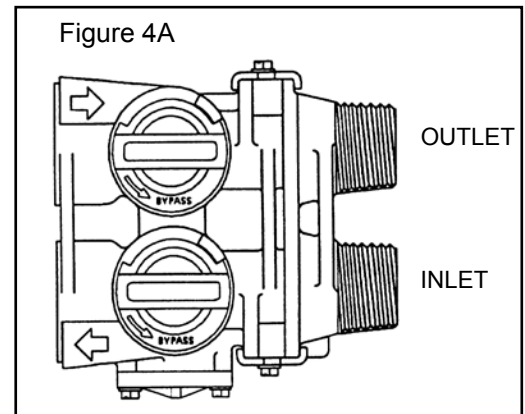
## Manual Bypass (Figure 4A)

In case of an emergency such as an overflowing brine tank, you can isolate your water softener from the water supply using the bypass valve located at the back of the control.

In normal operation the bypass is open with the ON/OFF knobs in line with the INLET and OUTLET pipes. To isolate the softener, simply rotate the knobs clockwise (as indicated by the word BYPASS and arrow) until they lock.

You can use your water related fixtures and appliances as the water supply is bypassing the softener. However, the water you use will be hard.

To resume soft water service, open the bypass valve by rotating the knobs counter-clockwise.

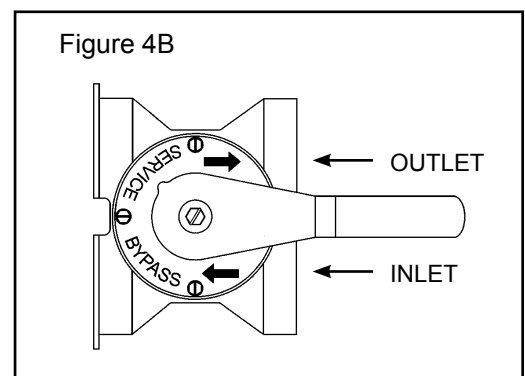


## Stainless Steel Bypass (Figure 4B)

In normal operation the bypass lever is aligned with the inlet/outlet with the pointer on SERVICE. To isolate the filter, rotate lever counter clockwise until it stops and pointer indicates unit is in bypass.

You can use your water related fixtures and appliances as the water supply is bypassing the filter. However, the water you use will be unfiltered.

To resume filtered water service, open the bypass valve by reversing the rotation of the lever.





# Maintenance Instructions

## Checking the Salt Level

Check the salt level monthly. Remove the lid from the cabinet or brine tank, make sure salt level is always above the brine level (you should not be able to see water).

## Adding Salt

Use only clean salt labeled for water conditioner use, such as crystal, pellet, nugget, button or solar.

The use of rock salt is discouraged because it contains insoluble silt and sand which build up in the brine tank and can cause problems with the system's operation.

Add the salt directly to the tank, filling no higher than the top of the brine well.

## Caution

Liquid brine will irritate eyes, skin and open wounds - gently wash exposed area with fresh water. Keep children away from your water conditioner.

## Resin Cleaner

An approved resin cleaner must be used on a regular basis if your water supply contains iron. The amount of resin cleaner and frequency of use is determined by the quantity of iron in your water (consult your local representative or follow the directions on the resin cleaner package).

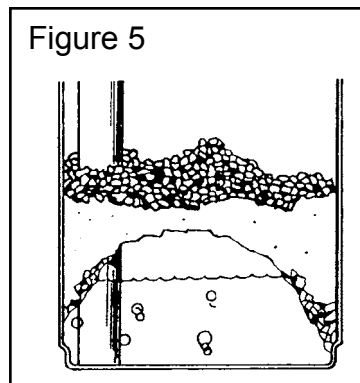
## Care of Your Water Conditioner

To retain the attractive appearance of your new water conditioner, clean occasionally with a mild soap solution. Do not use abrasive cleaners, ammonia or solvents. Never subject your conditioner to freezing.

## Bridging (Figure 5)

Humidity or the wrong type of salt may create a cavity between the water and the salt. This action, known as "bridging", prevents the brine solution from being made, leading to your water supply being hard.

If you suspect salt bridging, carefully pound on the outside of the plastic brine tank or pour some warm water over the salt to break up the bridge. This should always be followed up by allowing the unit to use up any remaining salt and then thoroughly cleaning out the brine tank. Allow four hours to produce a brine solution, then manually regenerate the softener.

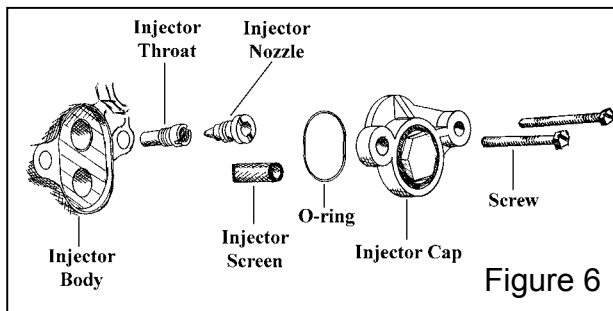


## Cleaning The Injector Assembly (Figure 6)

Sediment, sand and silt will restrict or clog the injector. A clean water supply and pure salt will prevent this from happening.

The injector assembly is located on the left side of the control valve. This assembly is easy to clean.

Shut off the water supply to your water conditioner and reduce the pressure by opening a cold soft water faucet. Using a screwdriver, remove the two screws holding the injector assembly to the control valve body. Carefully remove the assembly and disassemble as shown in Figure 6. The injector orifice is removed from the injector body by carefully turning it out with a screwdriver. Remove the injector throat the same way. Carefully flush all parts with water. Use a mild acid such as vinegar or Pro-Rust Out to clean the small holes in the orifice and throat. Reassemble using the reverse procedure. Do not over tighten.

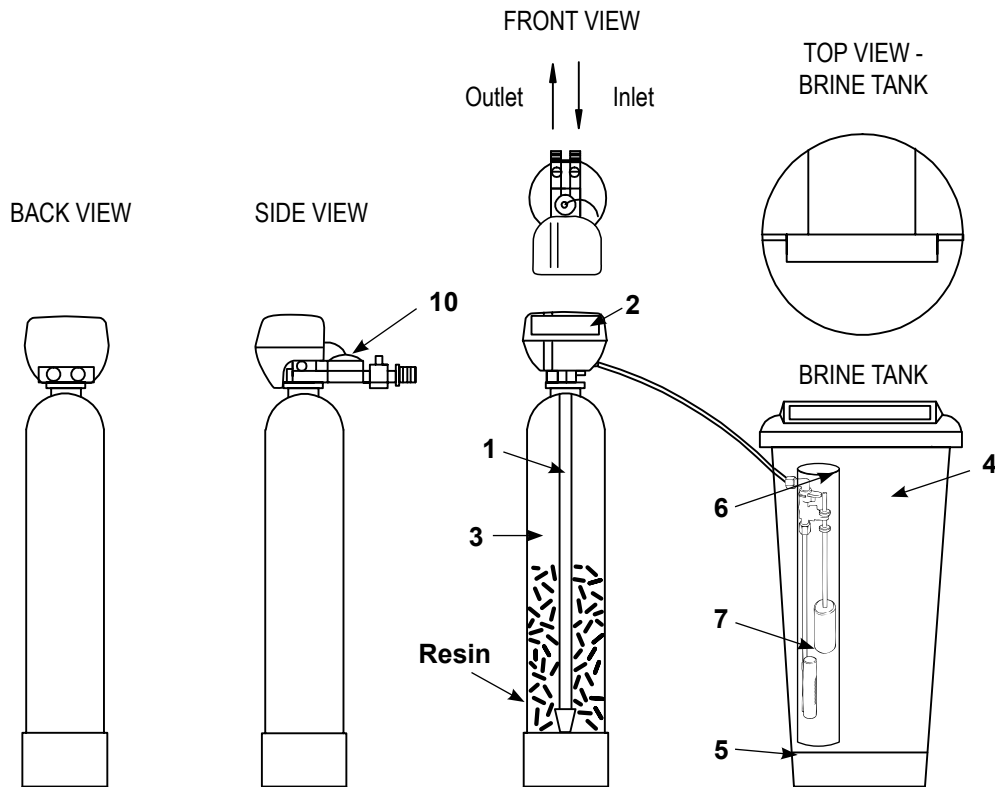


## Troubleshooting

If an error is detected, an error screen will alternate with the main display screen every few seconds, and the LED light will be red.

Error Code	Display Message	Correction
01	ERROR CODE: PROGRAM UNIT	Contact Your Dealer for Service.
02	ERROR CODE: PROGRAM UNIT	
03	ERROR CODE: SERVICE UNIT	
04	ERROR CODE: SERVICE UNIT	
05	ERROR CODE: SERVICE UNIT	

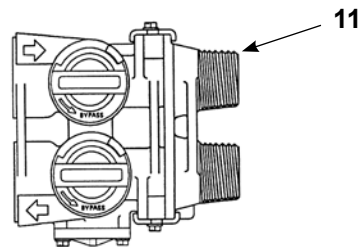
# Parts Breakdown



Model Description	Distributor (1)	Valve (2)	Tank (3)	Brine Tank (4)	Grid (5)	Safety Float (7)	Resin #21501
6700UF-20	19478	6701-55	100012	100284	N/A	13624	0.75 CF
6700UF-20 (8 x 44)	19478	6701-55	100036	100284	N/A	13624	0.75 CF
6700UF-30	19478	6701-56	100037	100284	N/A	13624	1.0 CF
6700UF-30 (10 x 35)	19495	6701-62	100041	100284	N/A	13624	1.0 CF
6700UF-45	19477	6701-57	100038	100367	19725	13624	1.5 CF
6700UF-60	19477	6701-58	100402	100367	19725	13624	2.0 CF

## Common Components

Item No.	Part No.	Description
6	48004	Brine Well Cap
10	61577	Meter
11	60049	Bypass



*To order replacement parts, contact the distributor at the address on the last page of this manual.*

# Trouble Shooting Guide

Problem	Possible Solutions
<b>1. CONDITIONER DELIVERS HARD WATER</b> A. Bypass valve is open B. No salt in brine tank C. Injector or screen plugged D. Insufficient water flowing into brine tank E. Hot water tank hardness F. Leak at distributor tube G. Internal valve leak H. Flow meter jammed I. Flow meter cable disconnected or not plugged into meter cap J. Improper programming	A. Close bypass valve B. Add salt to brine tank and maintain salt level above water level C. Replace injectors and screen D. Check brine tank fill time and clean brine line flow tank control if plugged E. Repeated flushing of the hot water tank is required F. Make sure distributor tube is not cracked. Check O ring and tube pilot G. Replace seals and spacers and/or piston H. Remove obstruction from flow meter I. Check meter cable connection to timer and meter cap J. Reprogram the control to the proper regeneration type, inlet water hardness, capacity or flow meter size.
<b>2. CONDITIONER FAILS TO REGENERATE</b> A. Electrical service to unit has been interrupted B. Timer is not operating properly C. Defective valve drive motor D. Improper programming	A. Assure permanent electrical service (check fuse, plug, chain or switch) B. Replace timer C. Replace drive motor D. Check programming and reset as needed
<b>3. UNIT USES TOO MUCH SALT</b> A. Improper salt setting B. Excessive water in brine tank C. Improper programming	A. Check salt usage and salt setting B. See #7 C. Check programming and reset as needed
<b>4. LOSS OF WATER PRESSURE</b> A. Iron build-up in line to water conditioner B. Iron build-up in water conditioner C. Inlet of control plugged due to foreign material broken loose from pipes by recent work done on plumbing system.	A. Clean line to water conditioner B. Clean control and add resin cleaner to resin bed. Increase frequency of regeneration C. Remove piston and clean control
<b>5. LOSS OF RESIN THROUGH DRAIN LINE</b> A. Air in water system B. Drain line flow control is too large	A. Assure that well system has proper air eliminator control. Check for dry well condition. B. Ensure drain line flow control is sized
<b>6. IRON IN CONDITIONED WATER</b> A. Fouled resin bed B. Iron content exceeds recommended parameters	A. Check backwash, brine draw and brine tank fill. Increase frequency of regeneration. Increase backwash time. B. Add iron removal filter system
<b>7. EXCESSIVE WATER IN BRINE TANK</b> A. Plugged drain line flow control B. Brine valve failure C. Improper programming	A. Clean flow control B. Replace brine valve C. Check programming and reset as needed
<b>8. SALT WATER IN SERVICE LINE</b> A. Plugged injector system B. Timer not operating properly C. Foreign material in brine valve D. Foreign material in brine line flow control E. Low water pressure F. Improper programming	A. Clean injector and replace screen B. Replace timer C. Clean or replace brine valve D. Clean brine line flow control E. Raise water pressure F. Check programming and reset as needed
<b>9. CONDITIONER FAILS TO DRAW BRINE</b> A. Drain line flow control is plugged B. Injector is plugged C. Injector screen is plugged D. Line pressure is too low E. Internal control leak F. Improper programming G. Timer not operating properly	A. Clean drain line flow control B. Clean or replace injectors C. Replace screen D. Increase line pressure (line pressure must be at least 20 psi at all times) E. Change seals and spacers and/or piston assembly F. Check programming and reset as needed G. Replace timer
<b>10. CONTROL CYCLES CONTINUOUSLY</b> A. Timer not operating properly B. Faulty microswitches and/or harness C. Faulty cycle cam operation	A. Replace timer B. Replace faulty microswitch or harness C. Replace cycle cam or reinstall
<b>11. DRAIN FLOWS CONTINUOUSLY</b> A. Foreign material in control B. Internal control leak C. Control valve jammed in brine or backwash position D. Timer motor stopped or jammed teeth E. Timer not operating properly	A. Remove piston assembly and inspect bore. Remove foreign material and check control in various regeneration positions B. Replace seals and/or piston assembly C. Replace piston and seals and spacers D. Replace timer motor and check all gears for missing teeth E. Replace timer

# GUARANTEE

HYDROTECH guarantees that your new water conditioner is built of quality material and workmanship. When properly installed and maintained, it will give years of trouble-free service.

## **FIVE YEAR COMPLETE PARTS GUARANTEE**

HYDROTECH will replace any part which fails within 60 months from date of manufacture, provided the failure is due to a defect in material or workmanship. The only exception shall be when proof of purchase or installation is provided and then the warranty period shall be from the date thereof.

## **TEN YEAR GUARANTEE ON MINERAL AND BRINE TANKS**

HYDROTECH will provide a replacement mineral or brine tank to any original equipment purchaser in possession of a tank that fails within 120 months, provided that the water conditioner is at all times operated in accordance with specifications and not subject to freezing or exposure to direct sunlight.

## **GENERAL PROVISIONS**

HYDROTECH assumes no responsibility for consequential damage as a result of escaped water from the water filter; labor or expense incurred as a result of a defect or for failure to meet the terms of these guarantees because of circumstances beyond its control.

Contact your local distributor:



**WATERGROUP INC.**    **WATERGROUP COMPANIES INC.**  
FRIDLEY, MN            REGINA, SK • CAMBRIDGE, ON  
1-800-354-7867        1-877-288-9888  
[www.watergroup.com](http://www.watergroup.com)