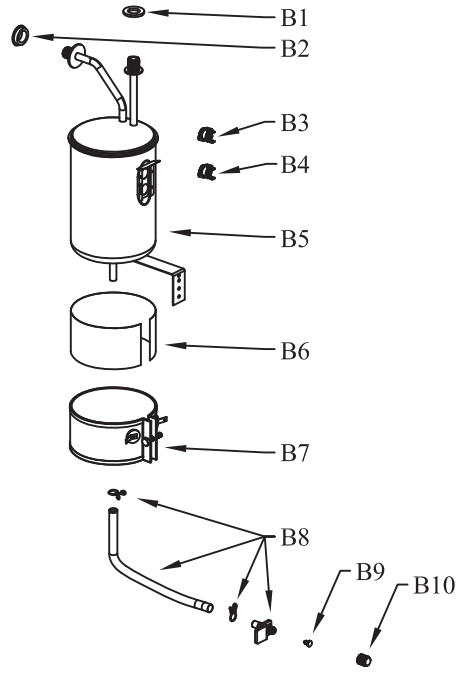
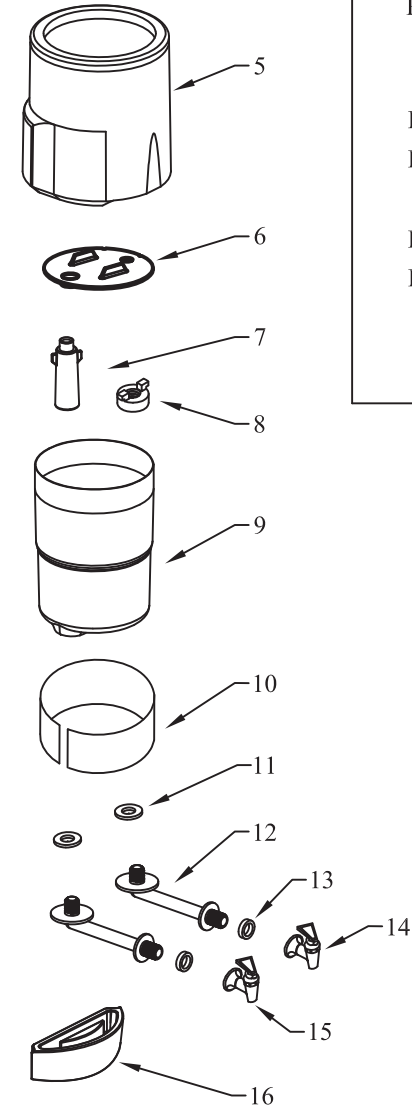
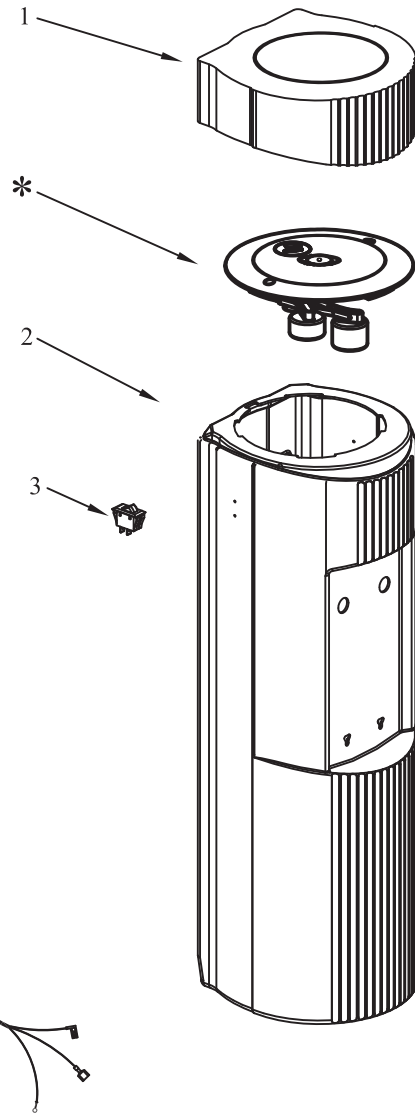
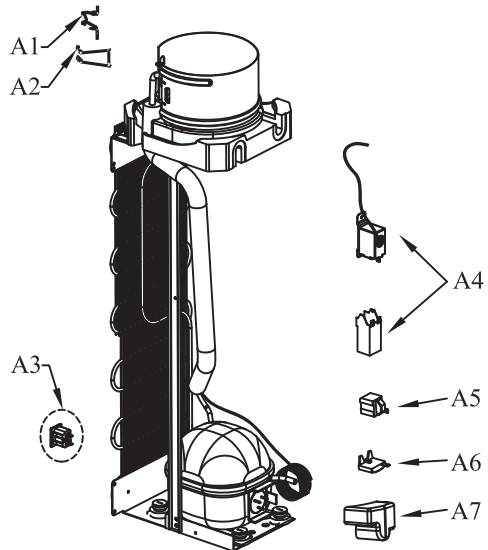


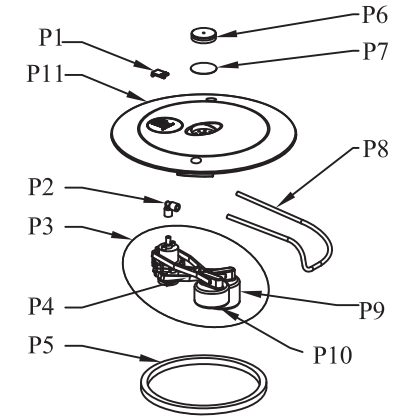
B Hot Tank System



A Refrigeration Replacement System



*P POU SYSTEM



Note: 1. Parts may not appear exactly as shown.
2. Parts shown may not be present on all models.

NO.	DESCRIPTION	PART CODE	NO.	DESCRIPTION	PART CODE		
1	GLACIER POU COVER - WHITE	SUB-C100108	A	A5	RELAY 115V (LG)	REF-C000004	
2	GLACIER BODY - WHITE	SUB-C000085		A5	RELAY 115V (TECUMSEH / KK)	REF-C100096	
3	POWER SWITCH	ELE-C000010		A6	CUTOUT 115V (LG)	REF-C000002	
4	POWER CORD 115V H&C	ELE-C100018			CUTOUT 115V (TECUMSEH / KK)	REF-C100094	
5	RESERVOIR INSULATION TOP	REF-C100055		A7	COMPRESSOR DUST COVER (LG)	REF-C100040	
5A	RES. INSULATION BOTTOM (Shown on top of Ref system)	REF-C100056			COMPRESSOR DUST COVER (KK)	REF-C100098	
6	BAFFLE DISK	PLC-C000073		HOT TANK SYSTEM - E/S RESERVOIR - SCREW TYPE			SUB-C100088
7	BAFFLE STEM - SS RES - W/O FLAT	PLC-C000176		B1	INLET GASKET	SIL-C000002	
8	ELBOW NUT	PLC-C000139		B2	HOT FAUCET GASKET	SIL-C100018	
9	ELBOW RESERVOIR - STAINLESS STEEL	SMT-C000135		B3	MANUAL RESET 95C - SCREW TYPE	ELE-C100088	
10	EVAPORATOR GASKET PAPER	MIS-C000049		B4	AUTO CUTOUT 83C - SCREW TYPE	ELE-C100109	
11	ELBOW GASKET SEAL	SIL-C000029		B5	SS HOT TANK (ONLY) - SCREW TYPE	SMT-C100043	
12	FAUCET ELBOW	PLC-C000155		B6	NOMEX PAPER	MIS-C000041	
13	COOK / COLD FAUCET GASKET	SIL-C100056		B7	115V MICA HEATER BANDS	ELE-C000051	
14	FAUCET FEMALE WHITE / BLUE	FAU-C000006		B8	HT DRAIN TUBE ASSEMBLY	SUB-C100174	
15	FAUCET FEMALE WHITE / RED CHILDPROOF	FAU-C000035		B9	RED DRAIN CAP PLUG	SIL-C100055	
16	GLACIER DRIP TRAY - GRANITE	PLC-C100191	B10	HOT TANK DRAIN CAP	PLC-C100004		
A	REFRIGERATION REPLACEMENT SYSTEM 115V		SUB-C100214				
	A1	EVAPORATOR CATCH	FAS-C000026				
	A2	EVAPORATOR LATCH - SS RESERVOIR	FAS-C000042				
	A4	COLD CONTROL	REF-C100021				
COLD CONTROL DUST COVER		MIS-C100035					
P	P1	INDICATOR ASSM - CLEAR WINDOW	SIL-C100010				
	P2	1/4" POU PLASTIC ELBOWS	MIS-C000044				
	P3	POU FLOAT ASSEMBLY W / FLOATS	MIS-C000043				
	P4	POU VALVE ASSEMBLY- ARM	PLC-C000149				
	P5	GASKET, POU LID	SIL-C000026				
	P6	INDICATOR ASSM - FILTER CAP	PLC-C100056				
	P7	POU - 5 MICRON FILTER PAPER	MIS-C100049				
	P8	1/4" TUBING FOR POU SYSTEMS	SIL-C000019				
	P9	BOTTOM OR PRIMARY FLOAT BALL	PLC-C000150				
	P10	TOP OR SECONDARY FLOAT BALL	PLC-C100195				
	P11	POU INDICATOR ASSEMBLY - LID ONLY	PLC-C100057				